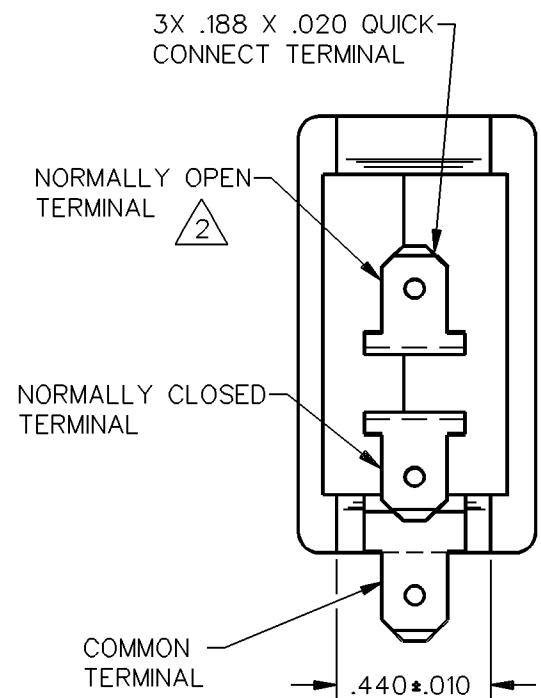
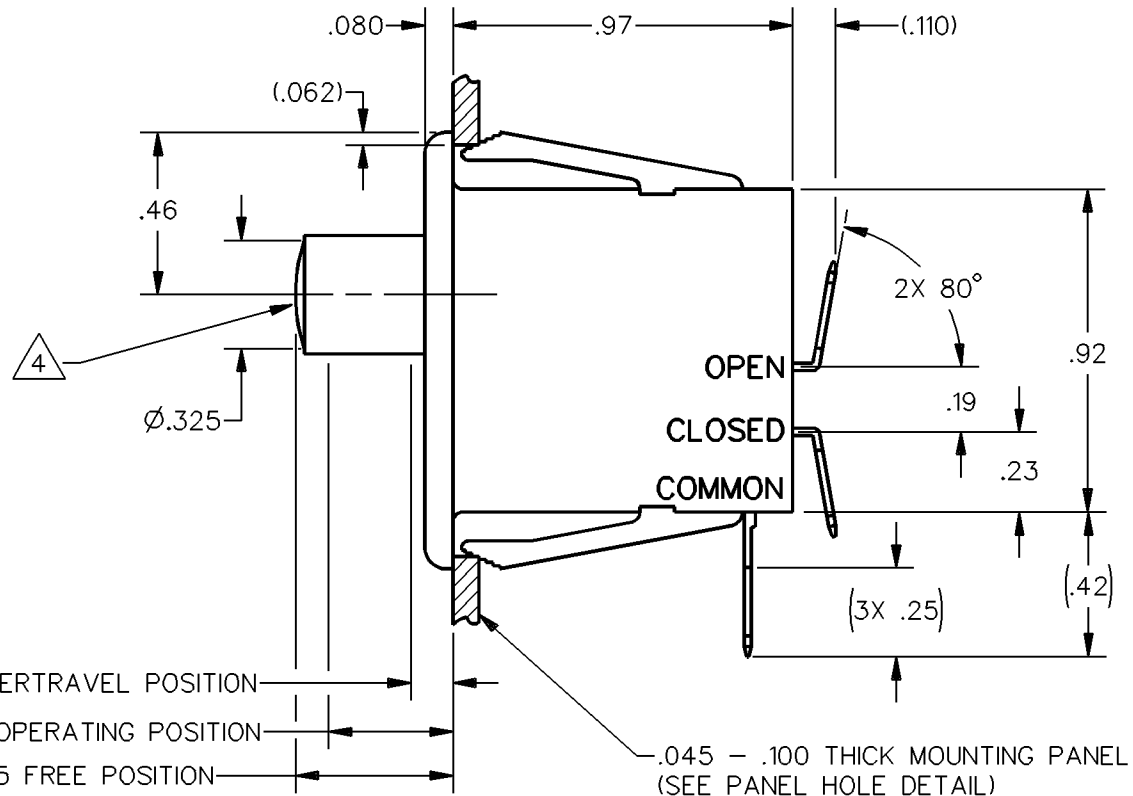
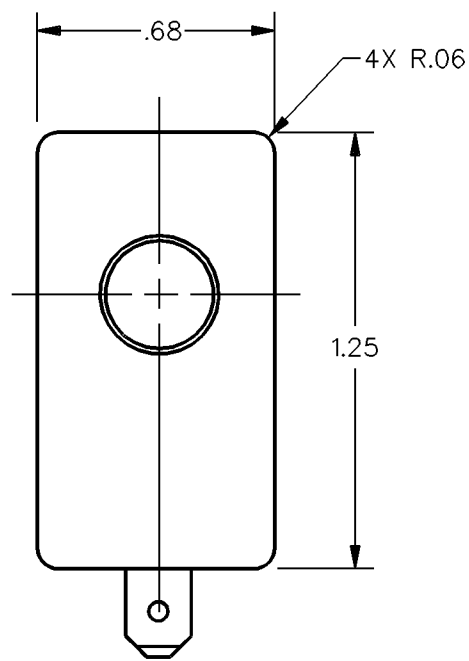
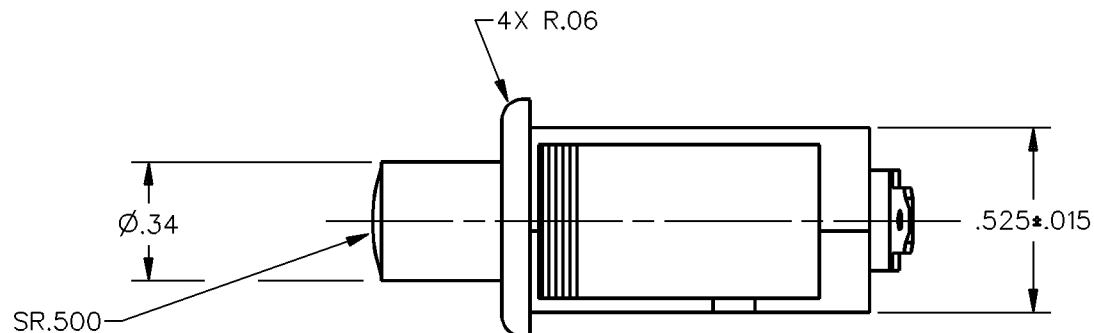
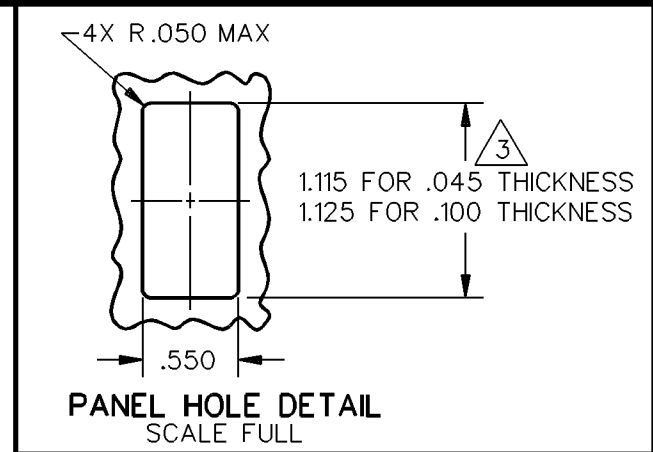


**MICRO SWITCH**  
a Honeywell Division

FED. MFG. CODE 91929

SWITCH - BASIC

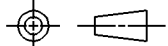
CATALOG LISTING  
1DM21



.120 MAX FULL OVERTRAVEL POSITION  
.355±.060 OPERATING POSITION  
.45 FREE POSITION  
.045 - .100 THICK MOUNTING PANEL (SEE PANEL HOLE DETAIL)

THIS DRAWING COVERS A PROPRIETARY ITEM AND IS THE PROPERTY OF MICRO SWITCH, A DIVISION OF HONEYWELL. THIS DRAWING IS NOT TO BE COPIED OR USED WITHOUT THE APPROVAL OF MICRO SWITCH

THIRD ANGLE PROJECTION



SCALE 2 TO 1

DO NOT SCALE PRINT

UNLESS OTHERWISE SPECIFIED TOLERANCES ARE

|             |        |       |
|-------------|--------|-------|
| ONE PLACE   | (.0)   | ±.030 |
| TWO PLACE   | (.00)  | ±.015 |
| THREE PLACE | (.000) | ±.005 |
| ANGLES      |        | ± 5°  |

WEIGHT

NOTES

- 1 - WHITE PLASTIC CASE AND PLUNGER
- 2 - FLAG STYLE QUICK CONNECT RECEPTACLE REQUIRED FOR NORMALLY OPEN TERMINAL IF SWITCH IS WIRED BEFORE MOUNTING
- 3 - NOMINAL CUTOUT DIMENSION FOR PANELS BETWEEN .045 AND .100 SHOULD BE INTERPOLATED BETWEEN 1.115 AND 1.125
- 4 - PUSH TO OPERATE - MOMENTARY

ANSI Y14.5M-1982 APPLIES

CATALOG LISTING 1DM21  
 ISSUE 6  
 REVISIONS  
 A CO-72328  
 DHD  
 14 JUL 92  
 CHECK  
 CHECK  
 DDM/CAD  
 DRAWN  
 DHD  
 14 JUL 92  
 CHECK  
 REPLACES  
 RELEASE NO. SR-11089

| CHARACTERISTICS                               | ELECTRICAL DATA                |
|---|--------------------------------|
| OPERATING FORCE - - - - - 15 OZ MAX           | CONTACT ARRANGEMENT<br>S P D T |
| RELEASE FORCE - - - - - 3 OZ MIN              | L181                           |
| DIFFERENTIAL TRAVEL - - .045 APPROX           | 10A 1/2HP 125, 250 OR 277 VAC  |
| OVERTRAVEL - - - - - .235 MIN                 |                                |
| PLUNGER FORCE AT .375 OVERTRAVEL<br>21 OZ MAX |                                |

